

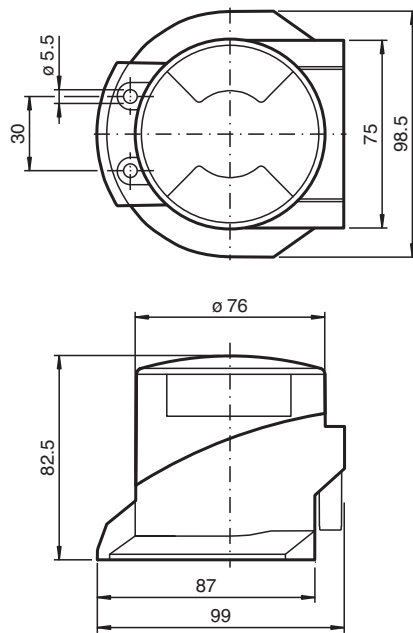


## Protective cover SH-BT65-F31K2

- Protection against contamination and damage
- Captive screws for easy mounting

Protective cap for mechanical protection and for use in applications in conditions where moisture is present.

### Dimensions



### Technical Data

#### Mechanical specifications

Material	rugged polycarbonate (PC) for outdoor use
----------	---